



DISPLAY OPTIONS

Do it like the Italians do!
Showcase your flavors for
customers who **eat with
their eyes first...**





3-6 FLAVOR DISPLAY CASES

G3 (COUNTERTOP)



3 FLAVORS | 110V | STATIC

GEL4 (COUNTERTOP)



4 FLAVORS | 110V | STATIC

HBG-4



4 FLAVORS | 110V | STATIC

DD-4



4 FLAVORS | 115V | STATIC

SAMOA-6



6 FLAVORS | 115V | VENTILATED

SLIMLINE (SLM-6)



6 FLAVORS | 220V | VENTILATED

BRIO-6



6 FLAVORS | 220V | VENTILATED

BAROQUE (BSLM-6)



6 FLAVORS | 220V | VENTILATED

DD-6



6 FLAVORS | 115V | STATIC



7-9 FLAVOR DISPLAY CASES

HBG-7



7 FLAVORS | 110V | STATIC

SAMOA-7



7 FLAVORS | 220V | VENTILATED

BRIO-7



7 FLAVORS | 220V | VENTILATED

SLIMLINE (SLM-8)



8 FLAVORS | 220V | VENTILATED



BAROQUE (BSLM-8)



8 FLAVORS | 220V | VENTILATED

DD-8



8 FLAVORS | 115V | STATIC

HBG-9



9 FLAVORS | 110V | STATIC

BRIO-9



9 FLAVORS | 220V | VENTILATED



10-12 FLAVOR DISPLAY CASES

HBG-10



10 FLAVORS | 110V | STATIC

DD-10



10 FLAVORS | 115V | STATIC

HBG-12



12 FLAVORS | 110V | STATIC

JULY-12



12 FLAVORS | 220V | VENTILATED

AX-12



12 FLAVORS | 220V | VENTILATED

ASPEN DELUXE (AD-12)



12 FLAVORS | 220V | VENTILATED

SMYRNA (SMV-12)



12 FLAVORS | 220V | VENTILATED





16-18 FLAVOR DISPLAY CASES

JULY-16



16 FLAVORS | 220V | VENTILATED

AX-16



16 FLAVORS | 220V | VENTILATED

ASPEN DELUXE (AD-16)



16 FLAVORS | 220V | VENTILATED

SMYRNA (SMV-16)



16 FLAVORS | 220V | VENTILATED



JULY-18



18 FLAVORS | 220V | VENTILATED

AX-18



18 FLAVORS | 220V | VENTILATED

SMYRNA (SMV-18)



18 FLAVORS | 220V | VENTILATED

ASPEN DELUXE (AD-18)



18 FLAVORS | 220V | VENTILATED



20+ FLAVOR DISPLAY CASES

AX-20

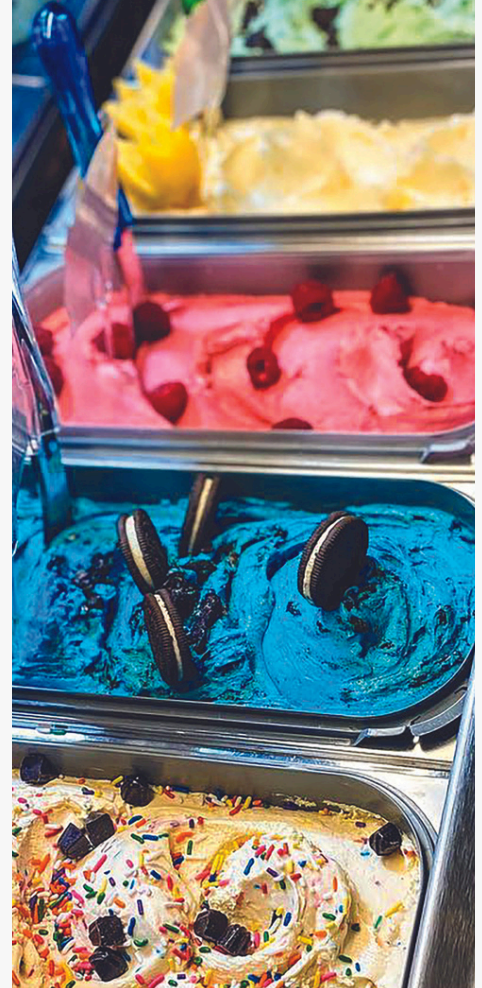


20 FLAVORS | 220V | VENTILATED

JULY-24



24 FLAVORS | 220V | VENTILATED



AX-24



24 FLAVORS | 220V | VENTILATED



SMYRNA (SMV-24)



24 FLAVORS | 220V | VENTILATED

ASPEN DELUXE (AD-24)



24 FLAVORS | 220V | VENTILATED



SPECIALTY EQUIPMENT

GELATO CARTS

ITAL CART



7 FLAVORS | 110V | STATIC

ITAL CART P



8 FLAVORS* | 110V | STATIC
*Pozzetti-style tubs

ITAL CART XL



9 FLAVORS | 110V | STATIC

SINGLE-SERVE FREEZERS

CTF-1T



54 CUPS | 110V | STATIC



MC2HC



144 CUPS | 110V | STATIC



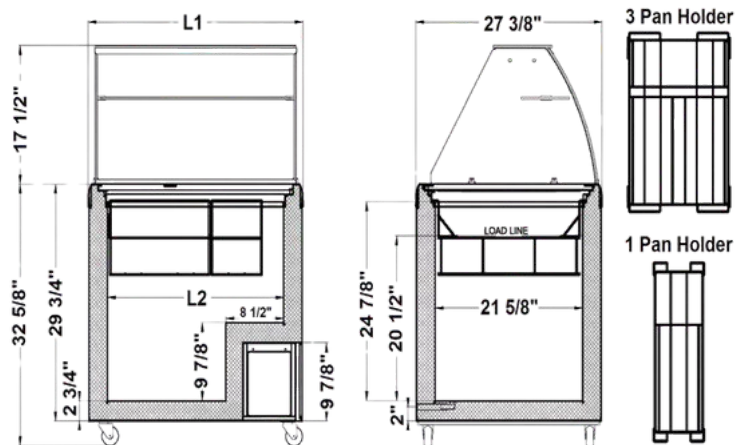
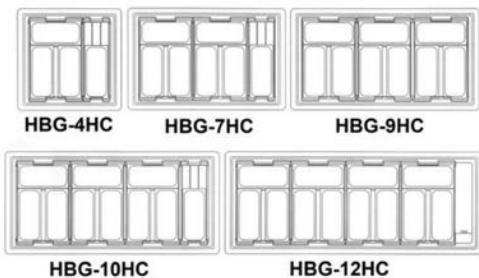
HBG-SERIES DISPLAY CASES

An affordable display case with amazing style! The HBG gelato dipping cabinet holds 4, 7, 9, 10 or 12 5-liter style tubs with even more storage capacity underneath!



- Static Cooling
- LED Interior Lighting
- Runs on standard power!
- Extra tub storage below
- Optional dipwell & 3-sided decal
- R-290 Refrigerant
- Temp. Range: -15° to +15°F

PAN LAYOUTS



| | HBD-4HC | HBD-6HC | HBD-8HC | HBD-10HC | HBD-12HC |
|----|---------|---------|---------|----------|----------|
| L1 | 28 1/2" | 43 1/2" | 51 3/4" | 59 1/2" | 70 5/8" |
| L2 | 22 7/8" | 37 7/8" | 46 1/8" | 53 7/8" | 65 1/8" |

| MODEL | # PANS | CUBIC FT. | POWER SUPPLY (VOLTAGE, HZ, PHASE) | AMPS | COMPRESSOR HP | NET WEIGHT | SHIPPING WEIGHT* | DIMENSIONS (W X D X H)** |
|--------|--------|-----------|--------------------------------------|------|------------------|------------|------------------|-----------------------------|
| HBG-4 | 4 | 6.4 | 115V 60HZ 1P | 1.3 | 1/7 | 154 LBS. | 190 LBS. | 28.5" X 27.375" X 50.125" |
| HBG-7 | 7 | 11.1 | 115V 60HZ 1P | 1.4 | 1/5 | 194 LBS. | 240 LBS. | 43.5" X 27.375" X 50.125" |
| HBG-9 | 9 | 13.8 | 115V 60HZ 1P | 2.0 | 1/4 | 268 LBS. | 269 LBS. | 51.75" X 27.375" X 50.125" |
| HBG-10 | 10 | 16.5 | 115V 60HZ 1P | 2.0 | 1/4 | 298 LBS. | 321 LBS. | 59.5" X 27.375" X 50.125" |
| HBG-12 | 12 | 20.0 | 115V 60HZ 1P | 4.1 | 1/2 | 271 LBS. | 380 LBS. | 70.625" X 27.375" X 50.125" |

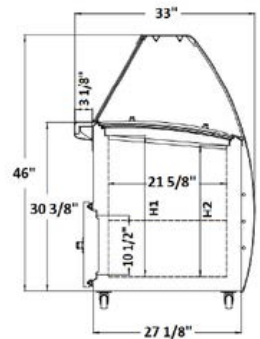
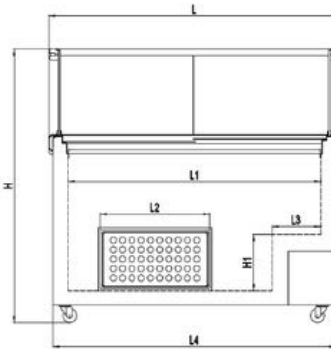
*Not including pallet | **Nominal lengths



DD-SERIES DISPLAY CASES

A stylish, affordable choice with standout features! The Deluxe Dipping Cabinet (DD series) holds 4, 6, 8, or 10 flavors, with added storage in the back and easy-access sliding glass doors. An illuminated front panel draws attention, and it runs on standard power for simple setup anywhere!

- Static Cooling
- Illuminated front panel
- Runs on standard power!
- Extra tub storage
- Optional dipwell & 3-sided decal
- R-290 Refrigerant
- Temp. Range: -15° to +15°F



| MODEL | # PANS | CUBIC FT. | POWER SUPPLY (VOLTAGE, HZ, PHASE) | AMPS | COMPRESSOR HP | NET WEIGHT | SHIPPING WEIGHT* | DIMENSIONS (W X D X H)** |
|-------|--------|-----------|-----------------------------------|------|---------------|------------|------------------|--------------------------|
| DD-4 | 4 | 6.0 | 115V 60HZ 1P | 1.3 | 1/7 | 181 LBS. | 238 LBS. | 32.875" X 33" X 49" |
| DD-6 | 6 | 8.5 | 115V 60HZ 1P | 1.4 | 1/5 | 240 LBS. | 304 LBS. | 42.5" X 33" X 49" |
| DD-8 | 8 | 10.9 | 115V 60HZ 1P | 2.0 | 1/4 | 271 LBS. | 357 LBS. | 53.125" X 33" X 49" |
| DD-10 | 10 | 15.2 | 115V 60HZ 1P | 2.0 | 1/2 | 335 LBS. | 439 LBS. | 67.625" X 33" X 49" |

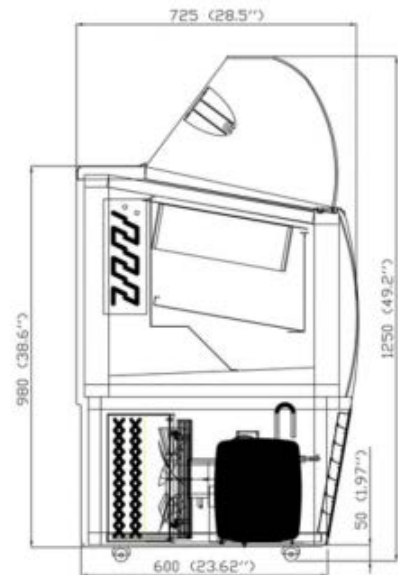
*Not including pallet | **Nominal lengths



SLIMLINE "SLM" DISPLAY CASES

The Slimline "SLM" gelato showcase is an entry-level showcase perfect where gelato isn't the focal point of your business, but looking for an additional source of revenue. The "SLM" is a sleek-looking display case that still offers a modern look and feels with its curved glass and attractive paneling.

- Forced Air Ventilation
- Temp. Range: -10° to +10°F
- Automatic Hot Gas Defrosting
- Stainless steel work surface
- Standard silver finish
- Gelato tubs and wheels included



| MODEL | # PANS | POWER SUPPLY (VOLTAGE, HZ, PHASE) | AMPS | COMPRESSOR HP | CRATED WEIGHT | DIMENSIONS (W X D X H)** |
|-------|--------|-----------------------------------|------|---------------|---------------|--------------------------|
| SLM-6 | 6 | 220V 60HZ 1P | 5 | | 554 LBS. | 48.8" X 28.5" X 49.2" |
| SLM-8 | 8 | 220V 60HZ 1P | 6 | | 640 LBS. | 63.0" X 28.5" X 49.2" |

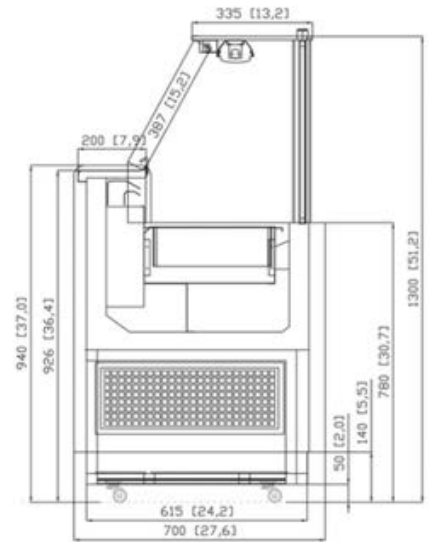


BAROQUE SLM DISPLAY CASES

The Baroque "SLM" offers a sleek design with squared-off corners and a beautiful silver finish. With its classic "baroque" style and superior display angle, this display case can fit the smallest spaces and still offer a significant flavor showcase!



- Forced Air Ventilation
- Gelato tubs and wheels included



| MODEL | # PANS | POWER SUPPLY (VOLTAGE, HZ, PHASE) | AMPS | COMPRESSOR HP | CRATED WEIGHT | DIMENSIONS (W X D X H)** |
|---------------|--------|--------------------------------------|------|---------------|---------------|--------------------------|
| BSLM-6 | 6 | 220V 60HZ 1P | 5 | 630W | 554 LBS. | 48.5" X 27" X 51.2" |
| BSLM-8 | 8 | 220V 60HZ 1P | 6 | 782W | 640 LBS. | 62.5" X 27" X 51.2" |

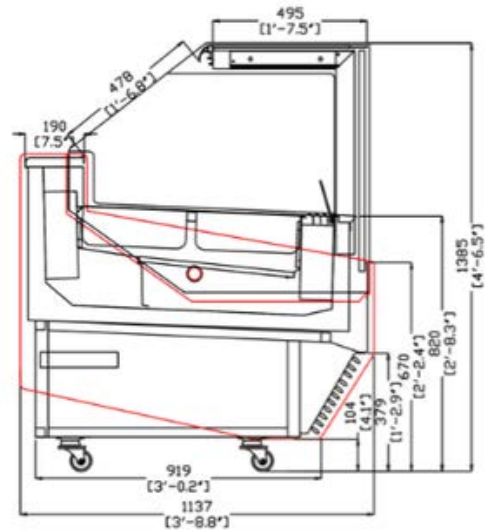


SMYRNA DISPLAY CASES

The Smyrna gelato display case features an ultra-contemporary design with its geometrical shape and prismatic lines. The sharp paneling and angled glass translate to maximum visibility for customers that eat with their eyes first!



- Forced Air Ventilation
- Straight double-pane glass
- LED Interior lighting system
- Hydraulic piston lift-up top glass
- Stainless steel finish
- Digital temperature control with auto defrost



| MODEL | # PANS | POWER SUPPLY (VOLTAGE, HZ, PHASE) | COMPRESSOR HP | GROSS WEIGHT | DIMENSIONS (W X D X H)** |
|--------|--------|-----------------------------------|---------------|--------------|--------------------------|
| SMV-12 | 12 | 220V 60HZ 1P | 1130W | 747.3 LBS. | 48.23" X 46.06" X 48.62" |
| SMV-16 | 16 | 220V 60HZ 1P | 782W + 782W | 1,003 LBS. | 61.38" X 46.06" X 48.62" |
| SMV-18 | 18 | 220V 60HZ 1P | 782W + 782W | 1,080 LBS. | 68.19" X 46.06" X 48.62" |
| SMV-24 | 24 | 220V 60HZ 1P | 782W + 1130W | 1,278 LBS. | 88.62" X 46.06" X 48.62" |



ASPEN DELUXE DISPLAY CASES

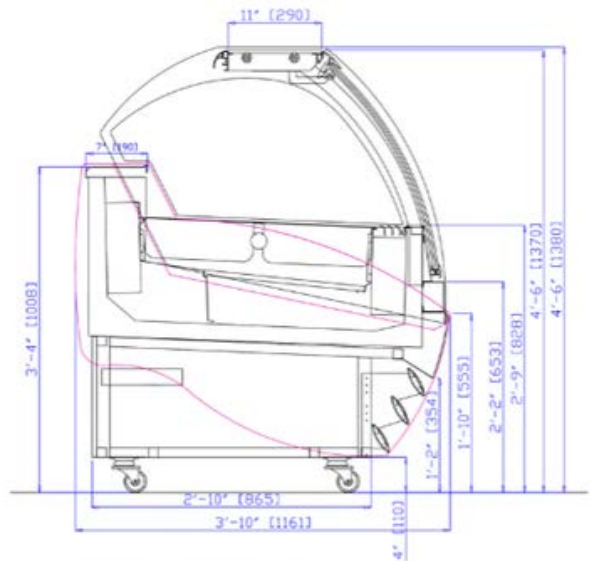
The Aspen Deluxe display case is one of a kind, with a modern and sleek design that has been the industry's signature showcase for several years.

- Forced air ventilation
- Hydraulic piston lift-up front glass
- Digital temperature control with automatic hot-gas defrost
- Air-cooled condensing unit
- Stainless steel work surface
- LED lit flavor rail for displaying flavors
- LED spotlight front panel
- Pane slope for optimal display
- Gelato pans and wheels included



AD24

AD12



| MODEL | # PANS | POWER SUPPLY (VOLTAGE, HZ, PHASE) | COMPRESSOR HP | GROSS WEIGHT | DIMENSIONS (W X D X H)** |
|-------|--------|-----------------------------------|---------------|--------------|--------------------------|
| AD-12 | 12 | 220V 60HZ 1P | 1130W | 747 LBS. | 48.23" X 46.85" X 54.33" |
| AD-16 | 16 | 220V 60HZ 1P | 782W + 700W | 1,003 LBS. | 61.38" X 46.85" X 54.33" |
| AD-18 | 18 | 220V 60HZ 1P | 782W + 782W | 1,080 LBS. | 68.19" X 46.85" X 54.33" |
| AD-24 | 24 | 220V 60HZ 1P | 782W + 1130W | 1,278 LBS. | 88.62" X 46.85" X 54.33" |



AX-SERIES DISPLAY CASES

The AX-Series features a simple, linear design that allows for maximized product visibility. This classic European design is stylish, elegant and functional.

- Ventilated refrigeration system
- Thermo-pane anti-condensation glass
- Digital temperature control
- LED lighting
- Rear sliding doors



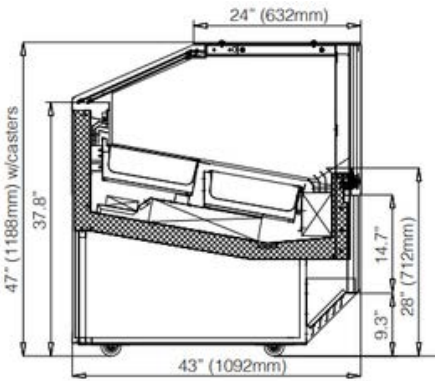
| MODEL | # PANS | POWER SUPPLY (VOLTAGE, HZ, PHASE) | AMPS | DIMENSIONS (W X D X H)** |
|-------|--------|--------------------------------------|------|--------------------------|
| AX-12 | 12 | 220V 60HZ 1P | 20 | 48.5" X 43" X 49.5" |
| AX-16 | 16 | 220V 60HZ 1P | 20 | 61.25" X 43" X 49.5" |
| AX-18 | 18 | 220V 60HZ 1P | 25 | 68.75" X 43" X 49.5" |
| AX-20 | 20 | 220V 60HZ 1P | 30 | 77" X 43" X 49.5" |
| AX-24 | 24 | 220V 60HZ 1P | 30 | 90.75" X 43" X 49.5" |



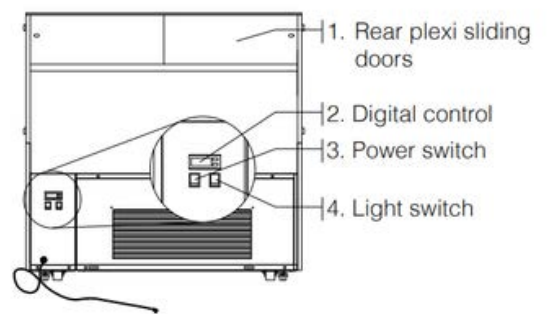
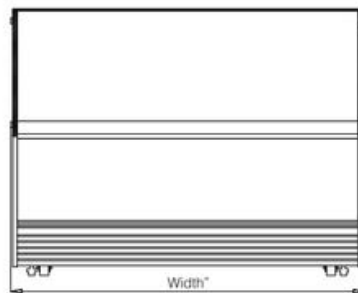
JULY DISPLAY CASES

July is a modern display case with exemplary display area. With a variety of sizes, this is the perfect choice for high-traffic gelaterias.

- Ventilated refrigeration system
- Automatic defrosting
- Thermo-pane anti-condensation glass
- LED lighting
- Rear sliding doors
- Wheels for easy movement



SIDE VIEW



REAR VIEW

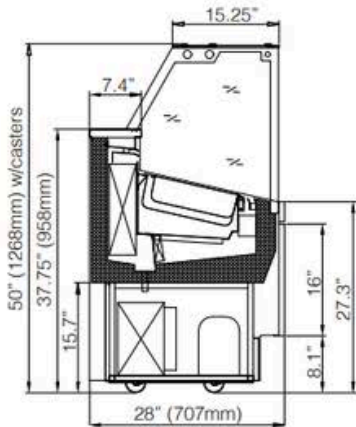
| MODEL | # PANS | POWER SUPPLY (VOLTAGE, HZ, PHASE) | AMPS | DIMENSIONS (W X D X H)** |
|---------|--------|--------------------------------------|------|--------------------------|
| JULY-12 | 12 | 220V 60HZ 1P | 13 | 49.5" X 43" X 47" |
| JULY-16 | 16 | 220V 60HZ 1P | 17 | 62.5" X 43" X 47" |
| JULY-18 | 18 | 220V 60HZ 1P | 19 | 69" X 43" X 47" |
| JULY-24 | 24 | 220V 60HZ 1P | 25 | 88.5" X 43" X 47" |



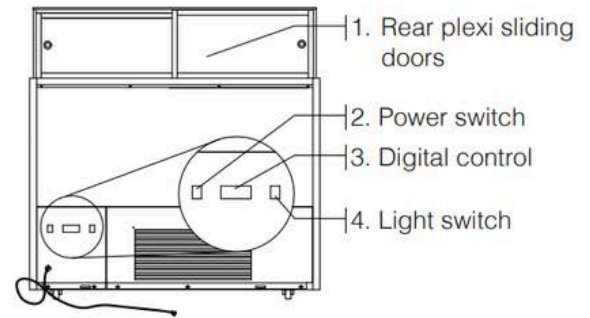
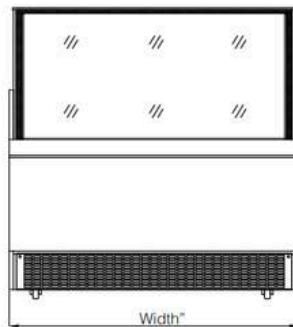
BRIO DISPLAY CASES

Brio is the perfect entry-level display case with a contemporary, space-efficient design.

- Ventilated refrigeration system
- Automatic defrosting
- Thermo-pane anti-condensation glass
- LED lighting
- Stainless steel interior
- Heated condensation pan included
- Rear sliding doors



SIDE VIEW



REAR VIEW

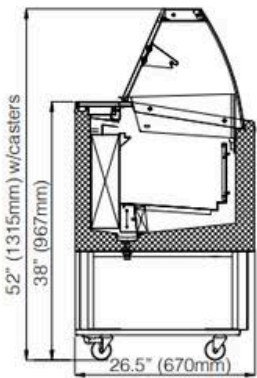
| MODEL | # PANS | POWER SUPPLY (VOLTAGE, HZ, PHASE) | AMPS | DIMENSIONS (W X D X H)** |
|--------|--------|--------------------------------------|------|--------------------------|
| BRIO-6 | 6 | 220V 60HZ 1P | 10 | 49.4" X 27.8" X 50" |
| BRIO-7 | 7 | 220V 60HZ 1P | 12 | 56.3" X 27.8" X 50" |
| BRIO-9 | 9 | 220V 60HZ 1P | 14 | 70.2" X 27.8" X 50" |



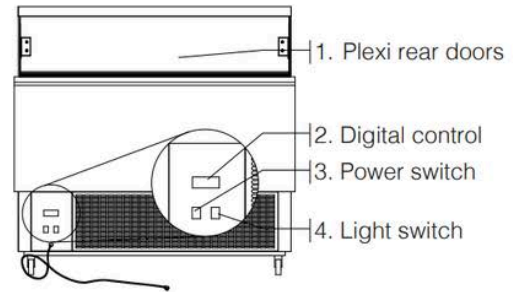
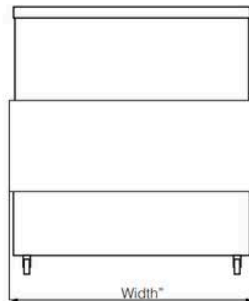
SAMOA DISPLAY CASES

Samoa is an incredibly space-efficient display that is easily moveable and is a great way to add gelato to any menu!

- Ventilated refrigeration system
- Automatic defrosting
- Single glass with stainless steel top
- LED lighting
- Storage space under pans
- Cooling system with hermetic compressor for incorporated air-cooling condensing units
- Wheels for easy movement



SIDE VIEW



REAR VIEW

| MODEL | # PANS | POWER SUPPLY (VOLTAGE, HZ, PHASE) | AMPS | DIMENSIONS (W X D X H)** |
|---------|--------|--------------------------------------|------|--------------------------|
| SAMOA-6 | 6 | 115V 60HZ 1P | 6 | 47" X 26.5" X 52" |
| SAMOA-7 | 7 | 115V 60HZ 1P | 7 | 54" X 26.5" X 52" |



GEL4 COUNTERTOP DISPLAY CASE

Gel 4 is the ultimate gelato countertop display! Available with 4 or 8 spaces for flavors, this is a great way to add frozen desserts to any menu, food truck, or event. It is energy-efficient and ready to plug and play!

- Perfect for catering events, pop-up stores, takeout, food trucks, and more
- Front panel customizable
- Low energy consumption 115v plug
- Fan assisted cooling
- Easy maintenance
- Transparent cover
- Low noise level



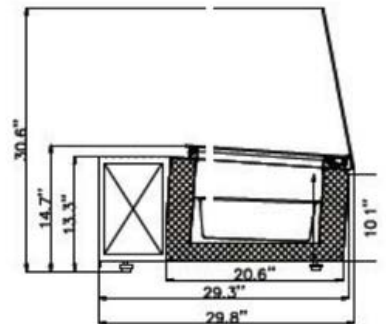
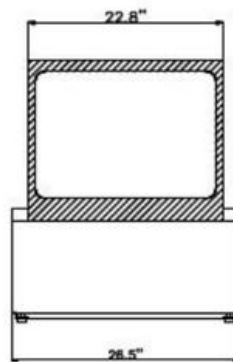
| MODEL | # PANS | POWER SUPPLY (VOLTAGE, HZ) | AMPS | DIMENSIONS (W X D X H)** |
|-------|--------|----------------------------|------|--------------------------|
| GEL4 | 4 | 115V 60HZ | 15 | 42.2" X 22" X 18.4" |



G3 COUNTERTOP DISPLAY CASE

G3 is a space efficient countertop gelato display small enough for a cart, food truck, or tabletop. It is the perfect way to incorporate frozen desserts into any space!

- Thermo-pane anti-condensation glass
- LED lighting
- Digital temperature control
- Space for 3 5-liter style gelato pans



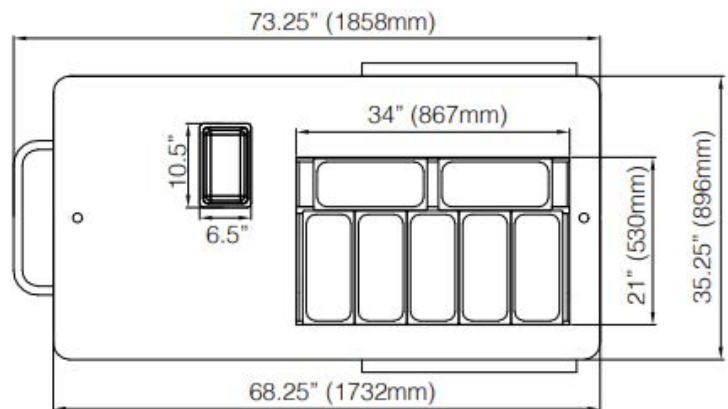
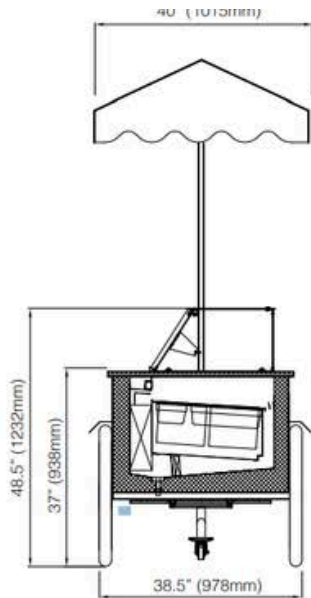
| MODEL | # PANS | POWER SUPPLY (VOLTAGE, HZ) | AMPS | DIMENSIONS (W X D X H)** |
|-------|--------|----------------------------|------|--------------------------|
| G3 | 3 | 110V 60HZ 1P | 10 | 26.5" X 10.1" X 30.6" |



ITALCART GELATO CART

ItalCart is an authentic tribute to the Italian gelato push cart! An icon of traditional gelato throughout the world.

- Timeless style
- Stainless steel worktop
- Tempered glass with sneeze guard
- Sun curtain with side supports
- LED lighting
- Two-way wheels & one pivoting wheel
- Tubular stainless steel handle for easy maneuvering



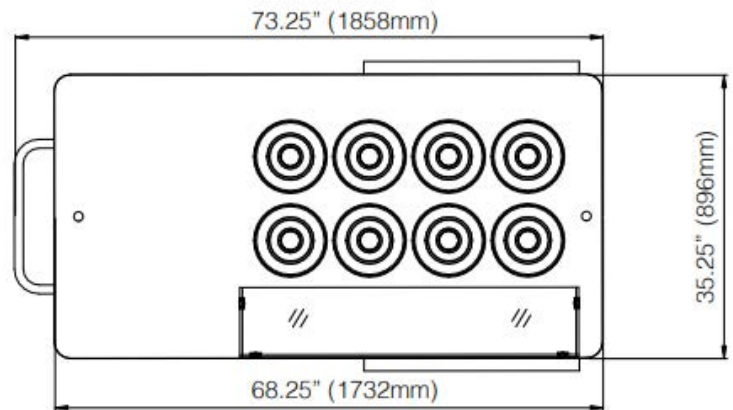
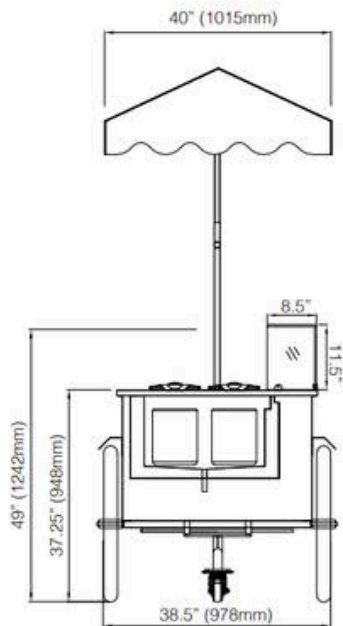
| MODEL | # PANS | POWER SUPPLY (VOLTAGE, HZ) | AMPS | DIMENSIONS (W X D X H)** |
|----------|--------|-------------------------------|------|--------------------------|
| ITALCART | 7 | 115V 60HZ 1P | 11 | 73.25" X 40" X 94" |



POZZETTI STYLE GELATO CART

The iconic style of the ItalCart, but in the traditional Pozzetti style. Start a gelato business anywhere with an easily moveable design and space for eight flavors!

- Stainless steel worktop
- Tempered glass with sneeze guard
- Sun curtain with side supports
- LED lighting
- Two-way wheels & one pivoting wheel
- Tubular stainless steel handle for easy maneuvering



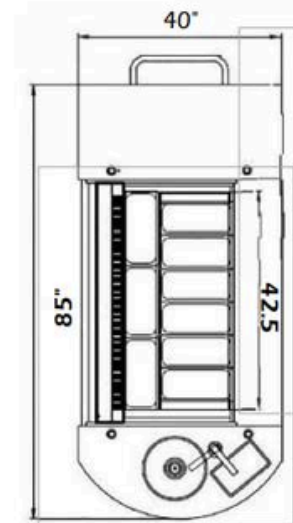
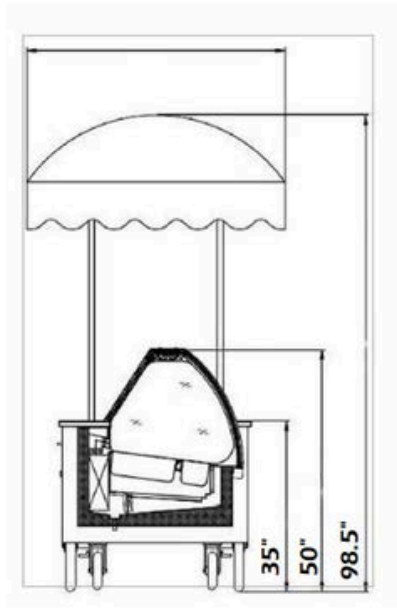
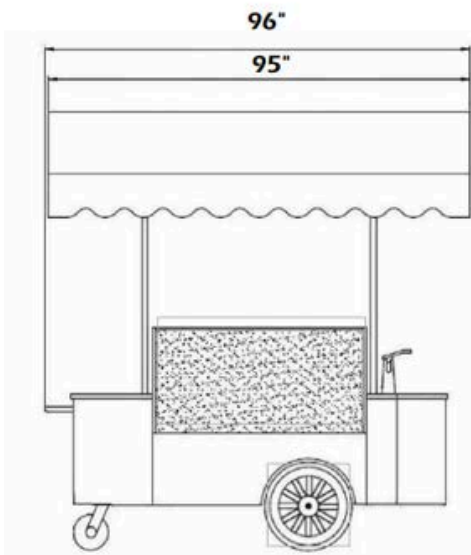
| MODEL | # PANS | POWER SUPPLY (VOLTAGE, HZ) | AMPS | DIMENSIONS (W X D X H)** |
|------------|--------|-------------------------------|------|--------------------------|
| ITALCART P | 8 | 115V 60HZ 1P | 11 | 73.25" X 40" X 94" |



ITALCART XL GELATO CART

The ItalCart XL offers the same iconic design and mobility as the ItalCart and ItalCart P, but on a grander scale! Take your gelateria anywhere!

- Iconic design
- Built-in professional gelato display
- Rear sliding doors
- Digital temperature control
- Thermo-pane anti-condensation glass
- Customizable body & umbrella
- Fully integrated water, waste, and hand wash sink
- Dipperwell
- LED lighting in canopy & case



| MODEL | # PANS | POWER SUPPLY (VOLTAGE, HZ) | AMPS | DIMENSIONS (W X D X H)** |
|-------------|--------|----------------------------|------|--------------------------|
| ITALCART XL | 9 | 115V 60HZ 1P | 20 | 82" X 40" X 94" |



EQUIPMENT FAQS

Q: What's the difference between static & ventilated cooling, and why does it matter?

- A:**
- **Static Cooling:** Uses natural air circulation for gentle cooling with lower energy consumption. Best for small shops with less volume, but may require rotating gelato for even temperature.
 - **Ventilated Cooling:** Uses fans for consistent cooling and faster temperature recovery. Ideal for high-traffic locations but requires more space for airflow. Most units require at least 6-12 inches of clearance for proper airflow.

Q: What size gelato display case do I need?

- A:** The size depends on how many flavors you want to display and your available space. Consider both storage capacity and visibility for customers. We can help you determine the volume of product you may need and which display case would be best for your situation.

Q: What are the power requirements?

- A:** Display cases typically require either 110-115v or 208-230v power. Larger units often need higher voltage and a dedicated circuit. Check with an electrician before purchasing a new unit.

Q: Do I need a specific temperature range for gelato?

- A:** Yes! Gelato should be stored between -10°F to 10°F (-23°C to -12°C) for ideal texture and scoopability. If kept at a colder temperature, it will be hard to scoop and yield less intense flavor.

Q: What type of defrost systems do gelato display cases use?

- A:** Some cases have automatic defrost, while others require manual defrosting to prevent ice buildup.

Q: How should I arrange my gelato and decorate it?

- A:** G.S. Gelato has a full training series dedicated to receiving, sculpting, decorating and storing your flavors, plus basic display case operation and cleaning. [Click here to view!](#)

Q: What kind of warranty does the display case come with?

- A:** Warranty coverage varies by manufacturer, so check for details on parts, labor, and compressor coverage.

Q: What maintenance does a gelato display case require?

- A:** Regular cleaning of the glass, drip trays, and air filters is essential, along with periodic defrosting and professional servicing as recommended by the manufacturer.

If you have any additional questions, we are always at your service!

E: info@gsgelato.com | (850) 243-5455

GSGELATO.COM